



ENGINEERING
ON FIRE



CHILLI PENGUIN



STOVES



CROESO CYNNES PENGUIN



The Fubby in seal grey

“CROESO CYNNES”

“A WARM WELCOME”



A new brochure is always exciting but this one is **extra special** for two reasons; this is our first Ecodesign brochure and secondly this year we are celebrating 21 years of producing stoves. We also know that some of our very first stoves are still being used today. We thank you for your support if you already have a penguin and welcome you to our family if you are just joining us.

Warm up With

All About Us	2
Our Products	2
Ecodesign	2-3
Stove Models	4-5
The Chilli Billie	6-7
The Short Penguin	8-9
The Chubby 5	10-11
The Hungry Penguin	12-13
The Hungry Penguin (Tall Order)	14-15
The Fat Penguin	16-17
The Fat Penguin (Tall Order)	18-19
The High & Mighty	20-21
The High & Mighty (Tall Order)	22-23
The Stock Cube & Stock Cube Convector	24-25
The Fubsy	26-27
The Woody Series	28-31
The Penguin 7 Series	32-35
The Seventy Ate “78” Series	36-37
Penguin Products	38
FAQs	39

What is Ecodesign?

The Ecodesign regulations effect most domestic energy related products, including solid fuel stoves. As far as stoves, they specify new seasonal energy efficiency levels and maximum emission requirements. From 1st January 2022 all new stoves need to comply with Ecodesign requirements.

Sustainably managed wood fuel is an incredible resource, both while it grows and when its used. So, we want our stoves to achieve as high efficiencies and low emissions as possible to support the use of this renewable fuel source. The particulates graph illustrates the differences that can be made.



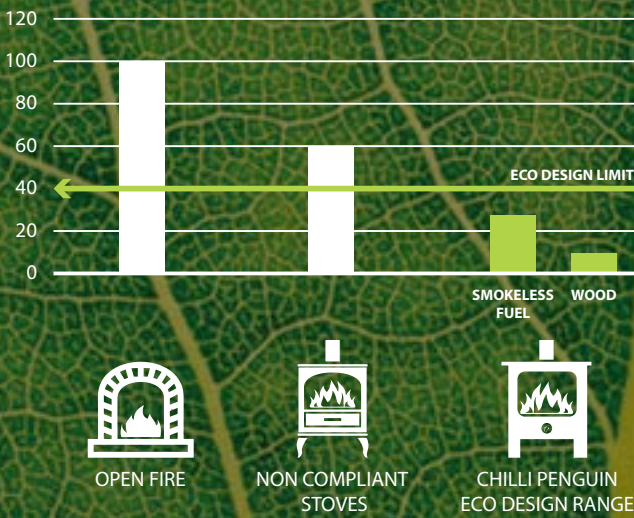
All About Us

We are a small family run business located near the **stunning** coastline of the Llŷn Peninsula in North **Wales**. Established in 2001. We now have a network of over 100 carefully selected stockists nationwide. We do not sell our stoves online, but we have an online shop for spares and additional Chilli products. We are committed to UK manufacturing not only because the UK is **good** at it but also every order contributes to the salary of someone **local** to us or someone who we know.

Our Products

We produce top quality, low emission, highly efficient stoves that do what they say and do it well. We also want them to last for a long time. We spend a long time in the design and development process to ensure this. Our most recent innovation has been to develop Eco design ready stoves ahead of the new emissions regulations. We have used a number of solutions to achieve this including the use of catalytic converter technology.

Particulates in Smoke emissions (mg/m³)



How do we meet Ecodesign requirements?

To achieve high efficiency, low emission burning with a clear view of the fire is a design and engineering challenge that has always excited us. A balance of elements is required, each impacted on each other.

We have used three routes to achieve these standards, catalytic converter (the Woody Eco cat) a combination of features, that increase the time the hot gases remain in the existing firebox (most of the 5kW multi fuel range), a back to the beginning approach stripping the stove firebox right back and re designing every element for incremental gains (The Stock Cube / The Penguin 7 Series / The Seventy Ate "78" Series).



Catalytic Converter (CAT) Technology

The Woody Eco (Cat) uses catalytic converter technology. A catalytic converter consists of a honeycomb type structure with a large surface area which is coated with catalytic materials. As the gases pass over the surface, chemical reactions occur, resulting in changes to the composition of the flue gases. Toxic carbon monoxide and hydrocarbon gases are oxidised into less harmful carbon dioxide and water.

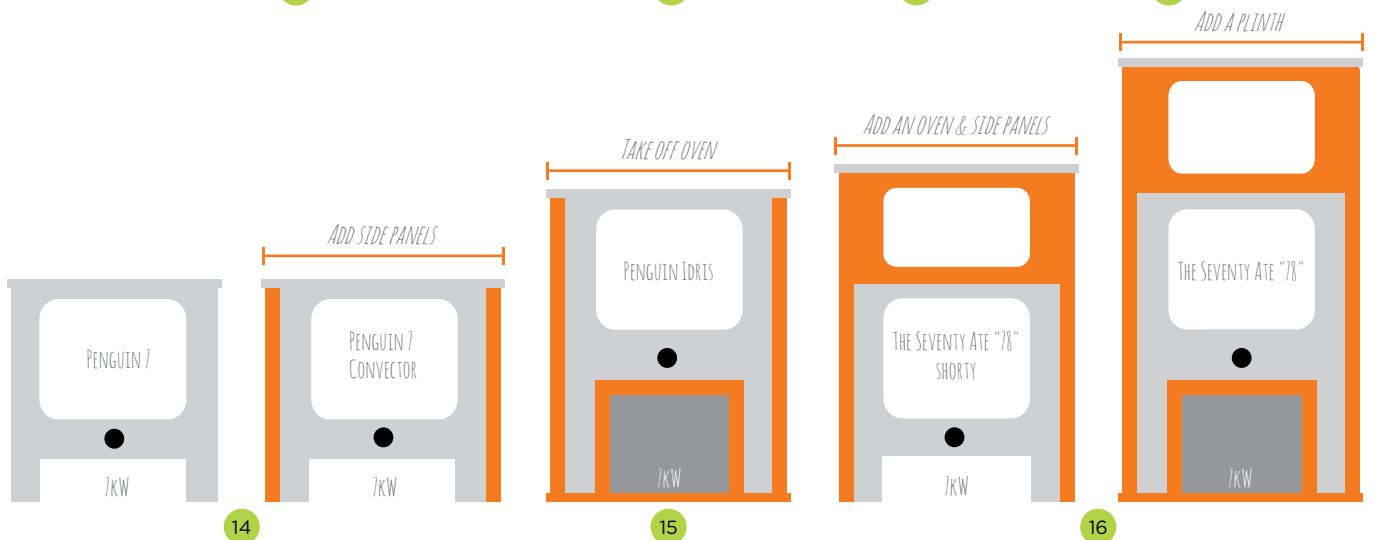
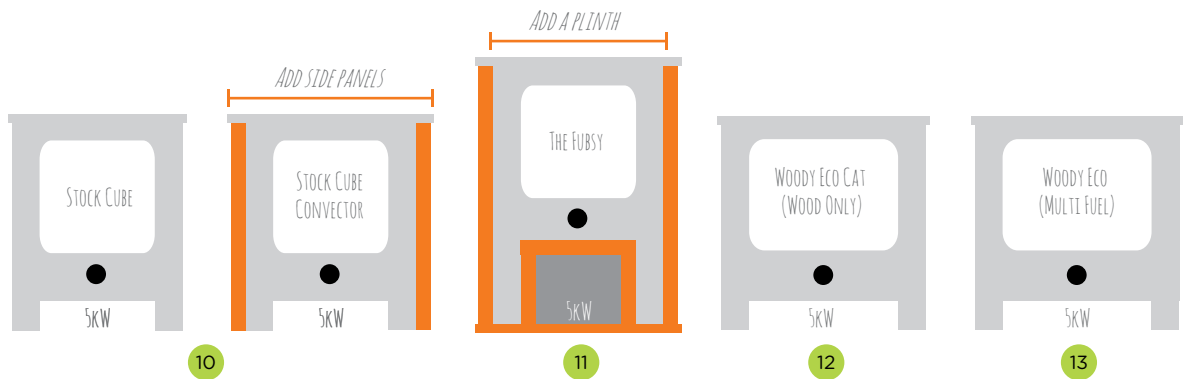
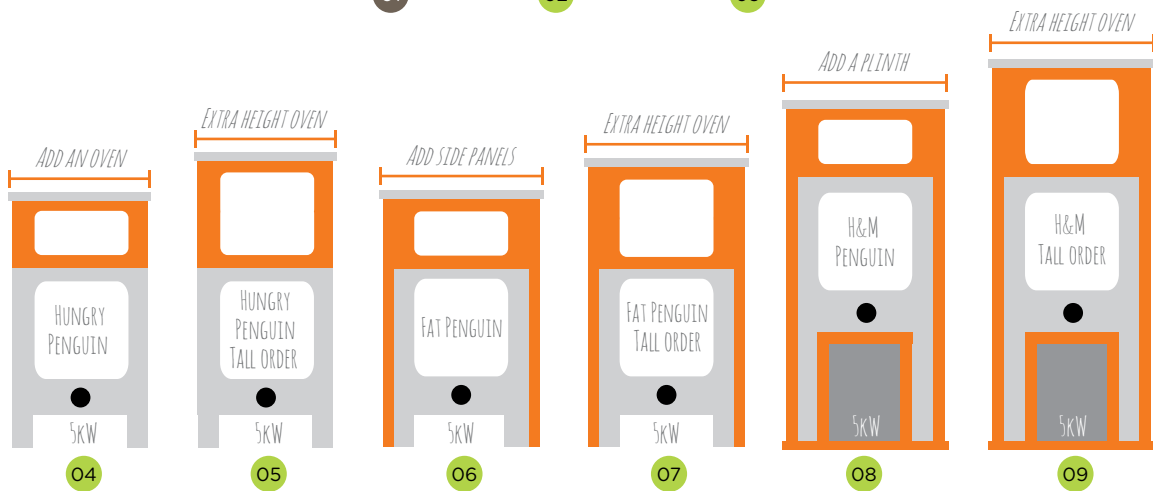
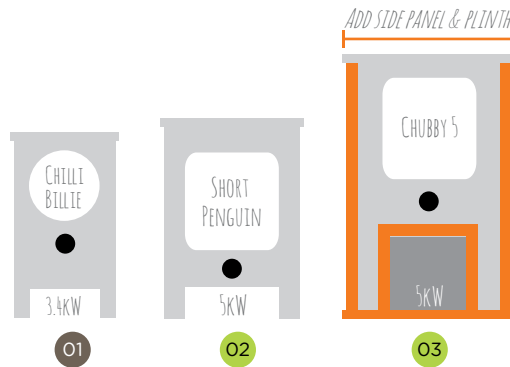
These chemical reactions release heat energy. This is a secondary combustion process, as it raises the temperature of the converter to the point where solid soot particles can be burned. This results in a more complete combustion and therefore less harmful emissions.



UK STOCKISTS



MEET THE FAMILY



RYDYM YN DYLUNIO AC YN GWEITHGYNHYRCHU
EIN HOLL STOFFIAU YMA YNG NGHYMRU.

WE DESIGN AND MANUFACTURE ALL
OF OUR STOVES HERE IN WALES.

- 01 **The Chilli Billie**
Stôf Fach Gyda Chalon Fawr
PAGE 6
- 02 **The Short Penguin**
Penguin Bach
PAGE 8
- 03 **The Chubby 5**
Penguin Llond Eu Crwyn 5
PAGE 10
- 04 **The Hungry Penguin**
Penguin Llwglyd
PAGE 12
- 05 **The Hungry Penguin Tall Order**
Penguin Llwglyd Tal
PAGE 14
- 06 **The Fat Penguin**
Penguin Tew
PAGE 16
- 07 **The Fat Penguin Tall Order**
Penguin Tew Tal
PAGE 18
- 08 **The High & Mighty**
Penguin Bonheddig
PAGE 20
- 09 **The High & Mighty Tall Order**
Penguin Bonheddig Tal
PAGE 22
- 10 **The Stock Cube & Stock Cube Convector**
Y Ciwb Stoc a Ciwb Stoc Darfudol
PAGE 24
- 11 **The Fussy**
PAGE 26
- 12 **Woody (Cat) wood only**
Dim ond Woody (Cat) pren yn unig
PAGE 28
- 13 **Woody (Multi Fuel)**
Dim ond Woody (Aml Danwydd)
PAGE 30
- 14 **The Penguin 7 & Penguin 7 Convector**
Penguin Saith a Penguin Saith Darfudol
PAGE 32
- 15 **The Penguin Idris**
Penguin Idris
PAGE 34
- 16 **The Seventy Ate "78" & 78 Shorty**
Penguin Saithdeg Wyth a Penguin Saithdeg Wyth Bach
PAGE 36



An Ecodesign version of the Chilli Billie is coming soon, ask your stockist.

The Chilli Billie

Stôf Fach Gyda Chalon Fawr

The little stove with a big heart, small but mighty, a flaming wood rocket, a tree fuelled engine.

This is baby of the penguin family in no hurry to grow up, likes chilling out... warming up... drying off and frying up. Found hanging out in small spaces like camping pods, yurts, beach huts, shepherds huts, sheds and studios.

What's More

The Chilli Billie is top loading with a round glass window to see the fire through. You can boil a kettle on the top surface of the stove. The kW output is 3.4kW. There is an optional detachable side shelf which is useful for putting your kettle or pans on when not boiling.

There is a separate ash pan door and a small lighting hole. There is a heat shield enclosure available for the Chilli Billie called the penguin enclosure (round enclosure illustrated, square enclosure also available, plans online).



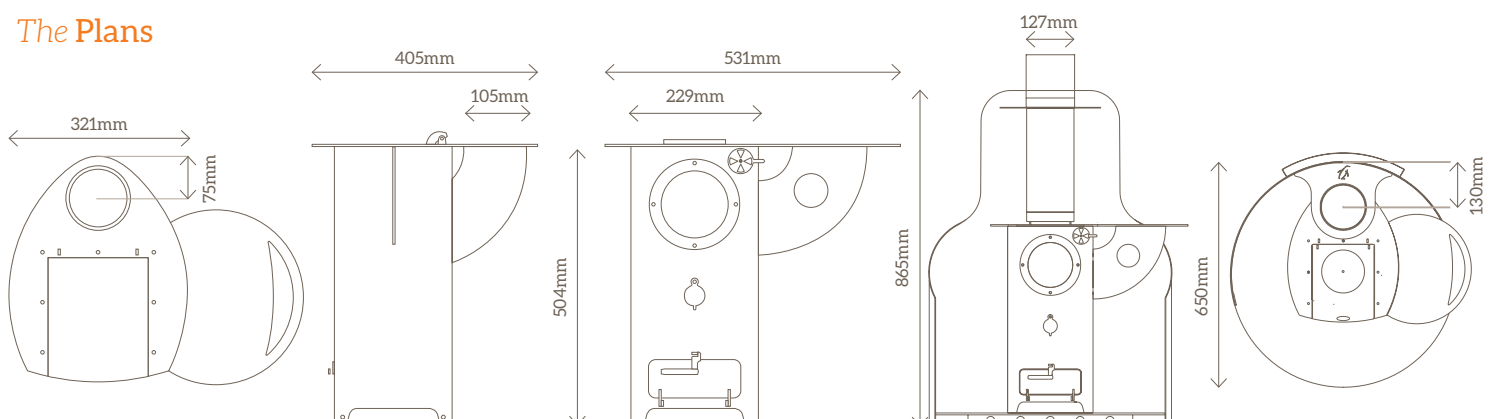
The Tech Details

Nominal Output	3.4kW	
Height	504mm	
Width	321mm/531mm	
Depth	405mm	
Fuel	Wood Only	
Flue Collar Size	105mm	
Flue Diameter (4-5" adaptor needed)	125mm	
*Distance To Combustibles		
Side 500mm	Rear 500mm	Above 500mm
*Distance To Non Combustibles		
Side 100mm	Rear 50mm	Above 150mm
Colours Available	Yes	

When Ecodesign testing is confirmed there may be some small updates to this technical table.

*These are minimum distances, be aware that there are other considerations eg. access for sweeping, height of kettle

The Plans



CHILL IN OR CHILL OUT



Glamorgan Sausages

4oz strong cheddar grated
4oz white breadcrumbs
1 onion chopped
1 tsp mustard
1 tbsp chopped parsley
Thyme to taste
Salt and pepper
3 eggs
Dried breadcrumbs to coat
Oil

Combine 2 eggs, mustard, parsley, thyme, salt and pepper. Add breadcrumbs, cheese and onion. Mix well, form into sausages. Coat in egg and breadcrumbs, fry and eat.

Enjoy

Chilli Billie in charred red in round enclosure

The Short Penguin

Penguin Bach

Small in stature but big on personality.

This fiery little 5kW penguin is designed to fit snugly into a builder's opening but is equally comfortable and utterly sensational free standing. Simple, clean lines, contemporary stainless steel handles, clean burning and highly efficient. This is a stove you will want to come home to.

What's More

The Short Penguin Eco design uses the Chilli Penguin Clean Burn and Air Wash systems. It is designed to burn both wood and smokeless fuel.

Penguin Facts

Air Wash

Pre-heated air is introduced via channels and jets at the back of the firebox and above the door. Air jets are directed onto the top of the glass. This creates a cushion of air, which protects the glass from blackening. This is called air wash.



The Short penguin on a plinth in black



The Tech Details

W

=Wood

SF

=Smokeless Fuel

Nominal Output	W 4.8kW	SF 4.9kW
Efficiency	W 80.6%	SF 80.4%
Particulates @ 13% O ₂	W 36mg/m ³	SF 15mg/m ³
Width 380mm	Depth 367mm	Height 540mm
Height With Plinth	711mm	
Multi-Fuel	Yes	
Approved For Use In Smoke Control Zones	Yes	
Optional Direct Air Kit Available	Yes	
Colours Available	Yes	
Max Log Length x average diameter	270mm x 100mm	
Flue Collar Diameter	127mm	
Flue Size Required	Min 125mm	



The Short Penguin in seal grey

The Tech Details

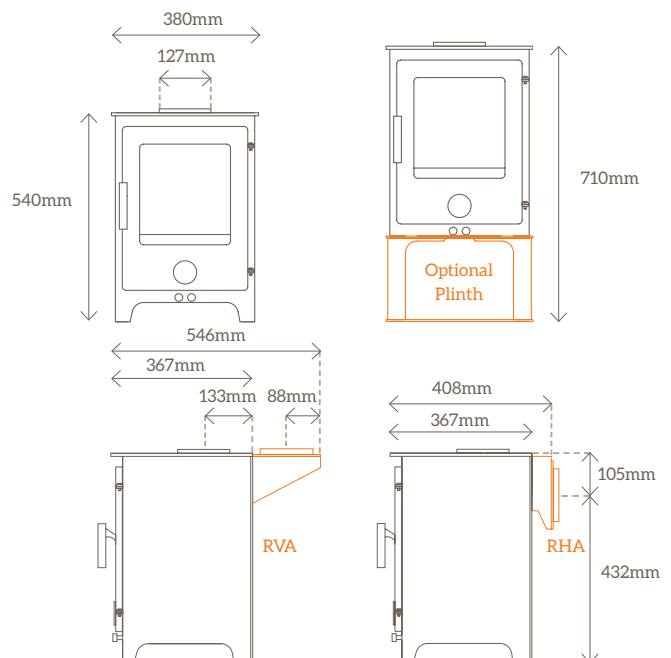
Top Exit	Standard	
Rear Exit	Rear Horizontal (RHA)/Vertical Adaptor (RVA) Required	
**Distance To Combustibles With Insulated Flue Fitted to Stove Top		
Side 500mm	Rear 200mm	Above 450mm
*Distance To Non Combustibles		
Side 100mm	Rear 50mm	Above 150mm
Hearth Type	No Base Heat Shield / Plinth	Constructional
Hearth With Base Heat Shield / Plinth	12mm	
Tested to EN13240:2001 & EN13240A2:2004		

*These are minimum distances, be aware that there are other considerations eg. access for sweeping, height of kettle

+If single walled flue is used then the distance to combustibles at the rear is equal to 3 x flue diameter (document J)

**UK
CA**

The Plans



Call: **01758 721 247**

The Chubby 5

Penguin Llond Eu Crwyn 5

Five kW of chubby loveliness.

If you appreciate the tight athleticism of the Short Penguin but crave the heartiness of a rugby player, then this is the stove for you.

This stove has the same fire box as the Short Penguin but it has grown in height and girth. The Chubby has an integral plinth which gives it the additional height and side convector panels which give it the extra width. This penguin has a big belly and big heart to match.



The Tech Details

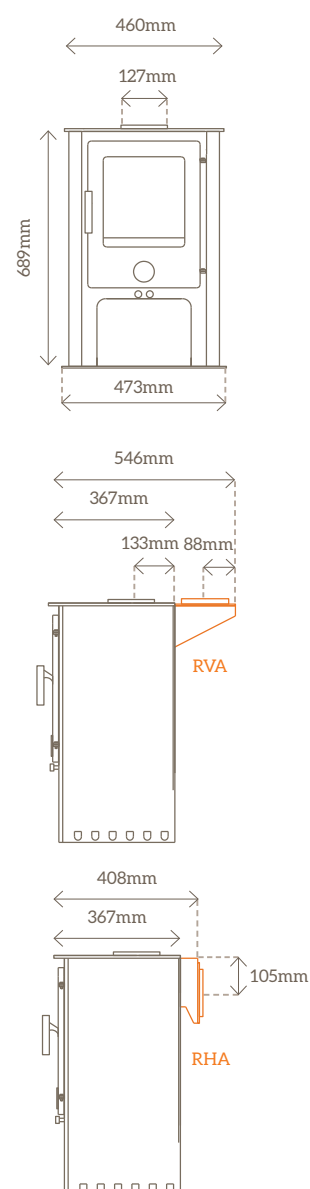
W = Wood SF = Smokeless Fuel

Nominal Output	W 4.8kW	SF 4.9kW
Efficiency	W 80.6%	SF 80.4%
Particulates @ 13% O2	W 36mg/m ³	SF 15mg/m ³
Width 460mm	Depth 367mm	Height 689mm
Multi-Fuel	Yes	
Approved For Use In Smoke Control Zones	Yes	
Optional Direct Air Kit Available	Yes	
Colours Available	Yes	
Max Log Length x average diameter	270mm x 100mm	
Flue Collar Diameter	127mm	
Flue Size Required	Min 125mm	
Top Exit	Standard	
Rear Exit	Standard	
Rear Horizontal (RHA) / Vertical Adaptor (RVA) Required	Standard	
**Distance To Combustibles With Insulated Flue Fitted to Stove Top	Standard	
Side 250mm	Rear 200mm	Above 450mm
*Distance To Non Combustibles	Standard	
Side 100mm	Rear 50mm	Above 150mm
Hearth Type	12mm	
Tested to EN13240:2001 & EN13240A2:2004	Standard	

*These are minimum distances, be aware that there are other considerations eg. access for sweeping, height of kettle
 +If single walled flue is used then the distance to combustibles at the rear is equal to 3 x flue diameter (document J)



The Plans



CHUNKY MONKEY...



The Chubby 5 in seal grey

The Hungry Penguin

Penguin Llwglyd

The original Chilli Penguin, the one that started the company.

This stove does it all, it keeps you warm, cooks your dinner and boils your kettle for a cup of tea. It's ideal for canal boats, studios and homes where you don't want to be wholly dependant on mains gas and electricity, or if you just want to cook for free.



EAT, DRINK &
CHILLI OUT

The Hungry Penguin in black



Hungry Penguin in black

What's More

If you are trying to reduce your carbon footprint or your fuel bill, being able to heat and cook from the same fuel load makes a lot of sense. If you want that smug feeling of warm toes and a hot pasty we're not going to stop you. It is a different experience to cooking with flick-a-switch power... but you're off grid and the stoves on anyway!

Penguin Facts

Cooking on a penguin

All our cooker models have an oven box and top plate. The oven temperature can reach up to 300°C, but it will tick over comfortably between 140-180°C. You can fit a small saucepan and kettle on the top plate. An extra height oven is also available.

The Tech Details

W = Wood

SF = Smokeless Fuel

Nominal Output	W 4.7kW	SF 4.8kW
Efficiency	W 81.2%	SF 87%
Particulates @ 13% O ₂	W 33mg/m ³	SF 12mg/m ³
Width 380mm	Depth 367mm	Height 683mm
Internal Oven Dimension	Width 250mm	Depth 220mm
		Height 100mm
Multi-Fuel	Yes	
Approved For Use In Smoke Control Zones	Yes	
Optional Direct Air Kit Available	Yes	
Colours Available	Yes	
Max Log Length x average diameter	270mm x 100mm	
Flue Collar Diameter	127mm	
Flue Size Required	Min 125mm	



The Hungry Penguin in black with twin walled flue fitted to stove surface

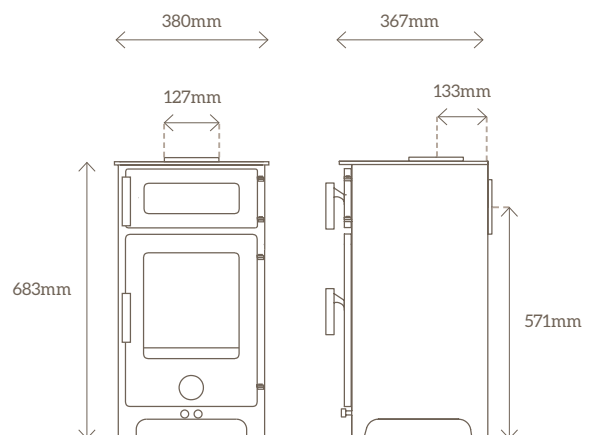
The Tech Details

Top Exit	Standard	
Rear Exit	Fit flue collar to rear	
**Distance To Combustibles With Insulated Flue Fitted to Stove Top	Side 550mm	Rear 250mm
		Above 450mm
*Distance To Non Combustibles	Side 100mm	Rear 50mm
		Above 150mm
Hearth Type	No Base Heat Shield / Plinth	Constructional
Hearth With Base Heat Shield / Plinth	12mm	
Tested to EN13240:2001 & EN13240A2:2004		

*These are minimum distances, be aware that there are other considerations eg. access for sweeping, height of kettle
 +If single walled flue is used then the distance to combustibles at the rear is equal to 3 x flue diameter (document J)



The Plans



The Hungry Penguin (Tall Order)

Penguin Llwglyd (Tal)

This stove is a variation of the Hungry Penguin.

Bake someone happy.

This stove has all the features of the Hungry Penguin but has a taller oven box, ideal for bakers and bread makers, lovers of sticky cakes and savoury bakes. This stove does it all, it keeps you warm, cooks your dinner and boils your kettle for a coffee afterwards.

What's More

All of our cooker models have an oven box and top plate (oven top surface). The Hungry Penguin (tall order) comes with a stainless steel oven bottom trivet, to put cooking dishes on and a removable oven shelf. The oven temperature can reach up to 300°C, but it will tick over comfortably between 140-180°C. You can fit a small saucepan and kettle on the top plate.

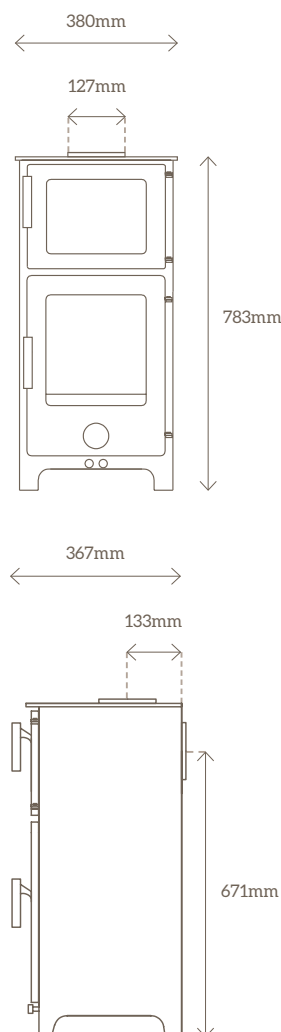
The Tech Details W =Wood SF =Smokeless Fuel

Nominal Output	W 4.7kW	SF 4.8kW
Efficiency	W 81.2%	SF 87%
Particulates @ 13% O2	W 33mg/m ³	SF 12mg/m ³
Width 380mm	Depth 367mm	Height 783mm
Internal Oven Dimension		
Width 250mm	Depth 220mm	Height 200mm
Multi-Fuel	Yes	
Approved For Use In Smoke Control Zones	Yes	
Optional Direct Air Kit Available	Yes	
Colours Available	Yes	
Max Log Length x average diameter	270mm x 100mm	
Flue Collar Diameter	127mm	
Flue Size Required	Min 125mm	
Top Exit	Standard	
Rear Exit	Fit flue collar to rear	
**Distance To Combustibles With Insulated Flue Fitted to Stove Top		
Side 550mm	Rear 250mm	Above 450mm
*Distance To Non Combustibles		
Side 100mm	Rear 50mm	Above 150mm
Hearth Type No Base Heat Shield / Plinth	Constructional	
Hearth With Base Heat Shield / Plinth	12mm	
Tested to EN13240:2001 & EN13240A2:2004		

*These are minimum distances, be aware that there are other considerations eg. access for sweeping, height of kettle

+If single walled flue is used then the distance to combustibles at the rear is equal to 3 x flue diameter (document J)

The Plans





CONFIDENTLY SELF-SUFFICIENT

The Hungry Penguin (Tall Order) in seal grey

The Fat Penguin

Penguin Tew

When something smaller just won't do.

The Fat Penguin has all the features of the Hungry Penguin. It will warm you, feed you and make you a brew but it's even bigger. The output is still 5kW but this is a bigger, bolder penguin. Strong, simple lines, clear view of the roaring fire. Gorgeous in green, confident in black, radiant in red.

What's More

The Fat Penguin has all the features of the Hungry Penguin. It has a 5kW fire box, a top oven and top plate but the side convection panels make it wider. The extra width means a bigger top plate so if you are cooking on it you will have more room. An extra height oven is also available.

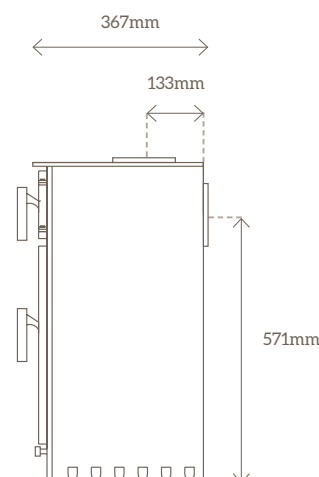
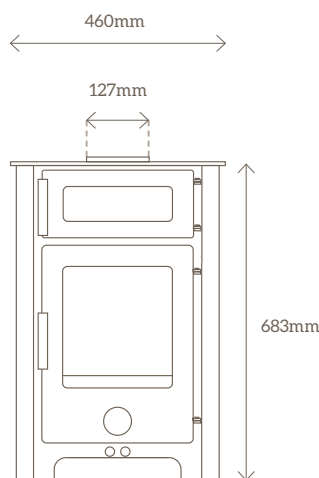
The Tech Details W =Wood SF =Smokeless Fuel

Nominal Output	W 4.7kW	SF 4.8kW
Efficiency	W 81.2%	SF 87%
Particulates @ 13% O ₂	W 33mg/m ³	SF 12mg/m ³
Width 460mm	Depth 367mm	Height 683mm
Internal Oven Dimension		
Width 250mm	Depth 220mm	Height 100mm
Multi-Fuel	Yes	
Approved For Use In Smoke Control Zones	Yes	
Optional Direct Air Kit Available	Yes	
Colours Available	Yes	
Max Log Length x average diameter	270mm x 100mm	
Flue Collar Diameter	127mm	
Flue Size Required	Min 125mm	
Top Exit	Standard	
Rear Exit	Fit flue collar to rear	
**Distance To Combustibles With Insulated Flue Fitted to Stove Top		
Side 250mm	Rear 250mm	Above 450mm
*Distance To Non Combustibles		
Side 100mm	Rear 50mm	Above 150mm
Hearth Type No Base Heat Shield	Constructional	
Hearth With Base Heat Shield	12mm	
Tested to EN13240:2001 & EN13240A2:2004		

*These are minimum distances, be aware that there are other considerations eg. access for sweeping, height of kettle

+If single walled flue is used then the distance to combustibles at the rear is equal to 3 x flue diameter (document J)

The Plans



The Fat Penguin in charred red



BIG, FAT
& BEAUTIFUL

The Fat Penguin (Tall Order)

Penguin Tew (Tal)

This stove is a variation of the Fat Penguin.

Fat, fit , fabulous foodie.

This stove has all the features of the Fat Penguin but has a taller oven box, ideal for herby winter casseroles, slow roasted veg and the crumbliest of crumbles. Like the Fat penguin it is a convector stove.

What's More

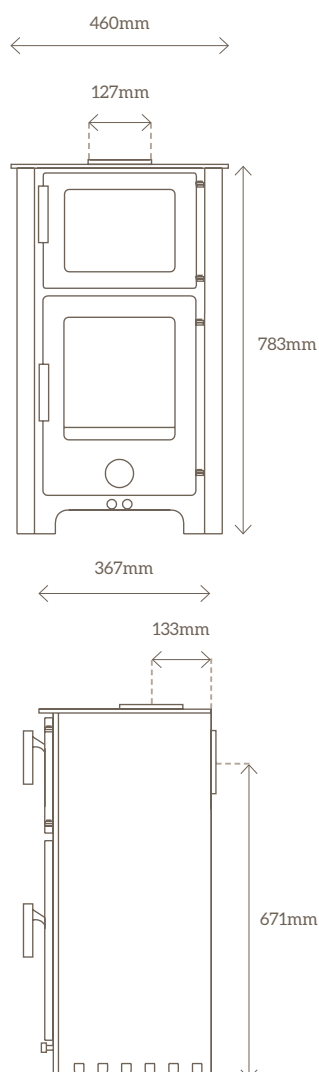
Like all the tall order penguins, this comes with a stainless steel oven bottom trivet, to put cooking dishes on and a removable oven shelf, giving you two cooking positions and reaches oven temperature very close to normal domestic ovens. Due to the convector panels there is a wider top plate to place kettles and pans on.

The Tech Details W =Wood SF =Smokeless Fuel

Nominal Output	W 4.7kW	SF 4.8kW
Efficiency	W 81.2%	SF 87%
Particulates @ 13% O ₂	W 33mg/m ³	SF 12mg/m ³
Width 460mm	Depth 367mm	Height 783mm
Internal Oven Dimension		
Width 250mm	Depth 220mm	Height 200mm
Multi-Fuel	Yes	
Approved For Use In Smoke Control Zones	Yes	
Optional Direct Air Kit Available	Yes	
Colours Available	Yes	
Max Log Length x average diameter	270mm x 100mm	
Flue Collar Diameter	127mm	
Flue Size Required	Min 125mm	
Top Exit	Standard	
Rear Exit	Fit flue collar to rear	
**Distance To Combustibles With Insulated Flue Fitted to Stove Top		
Side 250mm	Rear 250mm	Above 450mm
*Distance To Non Combustibles		
Side 100mm	Rear 50mm	Above 150mm
Hearth Type No Base Heat Shield	Constructional	
Hearth With Base Heat Shield	12mm	
Tested to EN13240:2001 & EN13240A2:2004		

*These are minimum distances, be aware that there are other considerations eg. access for sweeping, height of kettle
 +If single walled flue is used then the distance to combustibles at the rear is equal to 3 x flue diameter (document J)

The Plans



BOUNTIFUL & BELLY FULL



The Fat Penguin (Tall Order) in charred red

The High & Mighty

Penguin Bonheddig

It is possible that this stove has its nose in the air, just a touch and with a smile.

This stove perhaps does have its nose in the air, just a touch. It feels a little superior with its elevated height, oven box, generous top plate, convection panel sides and integral log plinth. It feels it offers everything : stature, personality, function and more than a little charm. This is truly a Penguin amongst penguins.



The High & Mighty in charred red



What's More

This stove began life as a Fat Penguin but then it kept on growing. In order to accommodate the log plinth the side convection panels had to be extended. When we saw it's new body, it seemed to take on a personality all of its own so we decided to give it its own name. This is a high functioning stove...and it knows it. An extra height oven is also available.

Penguin Facts

Convection panels

The side convection panels draw cold air in from the bottom of the stove, as the air is heated next to the body of the stove, it rises creating a flow of warm air.



The Tech Details

	W =Wood	SF =Smokeless Fuel
Nominal Output	4.7kW	4.8kW
Efficiency	81.2%	87%
Particulates @ 13% O2	33mg/m ³	12mg/m ³
Width 460mm	Depth 367mm	Height 908mm
Internal Oven Dimension	Width 250mm	Depth 220mm
		Height 100mm
Multi-Fuel		Yes
Approved For Use In Smoke Control Zones		Yes
Optional Direct Air Kit Available		Yes
Colours Available		Yes
Max Log Length x average diameter	270mm x 100mm	
Flue Collar Diameter	127mm	
Flue Size Required	Min 125mm	



TALL, HANDSOME,
SMUG AS A SAUSAGE.

The High & Mighty in seal grey

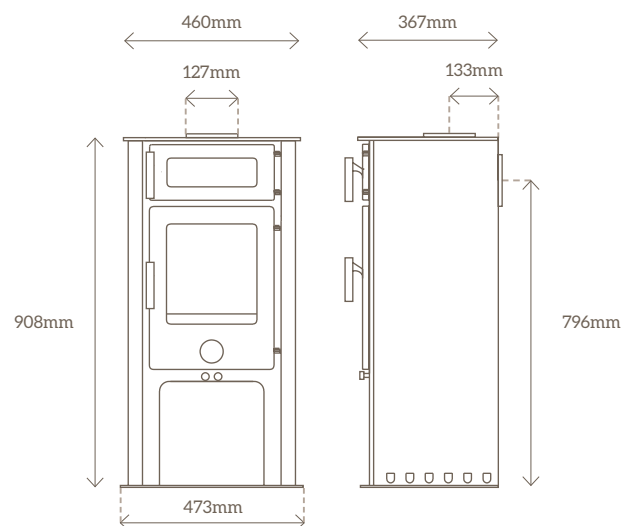
The Tech Details

Top Exit	Standard	
Rear Exit	Fit flue collar to rear	
**Distance To Combustibles With Insulated Flue Fitted to Stove Top	Side 250mm	Rear 250mm
		Above 450mm
*Distance To Non Combustibles	Side 100mm	Rear 50mm
		Above 150mm
Hearth Type	12mm	
Tested to EN13240:2001 & EN13240A2:2004		

*These are minimum distances, be aware that there are other considerations eg. access for sweeping, height of kettle
 +If single walled flue is used then the distance to combustibles at the rear is equal to 3 x flue diameter (document J)



The Plans



The High & Mighty (Tall Order)

Penguin (Tal) Bonheddig

This stove is a variation of the High & Mighty.

Head and shoulders above the rest.

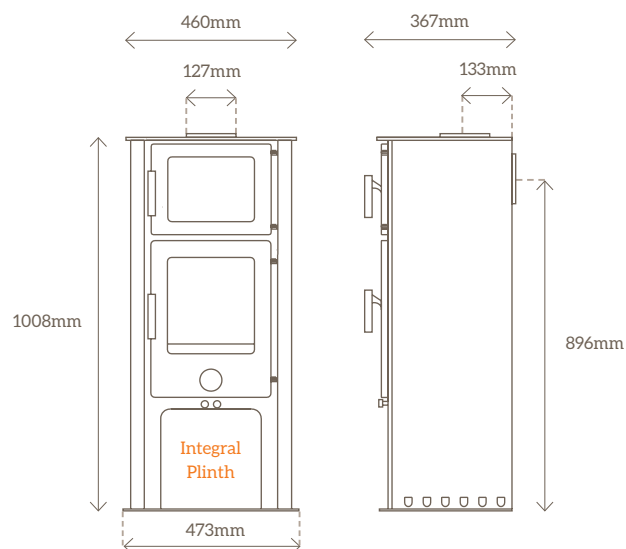
This stove began with a phone call, “this might be a tall order but can you make me a stove with taller oven, I want to bake bread in it”. The tall order High and Mighty was born. For all you bakers and breadmakers, home cooks and never cooked before, lovers of buttery pies, gooey cookies and home made loaves... this is your stove.



The High & Mighty (Tall Order) in storm blue



The Plans



The Tech Details

W = Wood SF = Smokeless Fuel

Nominal Output	W 4.7kW	SF 4.8kW
Efficiency	W 81.2%	SF 87%
Particulates @ 13% O ₂	W 33mg/m ³	SF 12mg/m ³
Width 460mm	Depth 367mm	Height 1008mm
Internal Oven Dimension		
Width 250mm	Depth 220mm	Height 200mm
Multi-Fuel		Yes
Approved For Use In Smoke Control Zones		Yes
Optional Direct Air Kit Available		Yes
Colours Available		Yes
Max Log Length x average diameter	270mm x 100mm	
Flue Collar Diameter	127mm	
Flue Size Required	Min 125mm	
Top Exit	Standard	
Rear Exit	Fit flue collar to rear	
**Distance To Combustibles With Insulated Flue Fitted to Stove Top		
Side 250mm	Rear 250mm	Above 450mm
*Distance To Non Combustibles		
Side 100mm	Rear 50mm	Above 150mm
Hearth Type	12mm	
Tested to EN13240:2001 & EN13240A2:2004		

*These are minimum distances, be aware that there are other considerations eg. access for sweeping, height of kettle

+If single walled flue is used then the distance to combustibles at the rear is equal to 3 x flue diameter (document J)



IT'S A TALL ORDER

The High & Mighty (Tall Order) in storm blue

The Stock Cube & Stock Cube Convector

Y Ciwb Stoc a Ciwb Stoc Darfudol

Fair & Square.

This penguin is clear, determined, honest and single minded. It doesn't compromise, it is a wood burner only. It is built to be strong, simple, efficient and clean burning. If you want a 5kW wood burner, squarer and deeper than our Woody.. this could be your penguin. This penguin will be a true and honest friend, to warm you on those chilli winter nights.

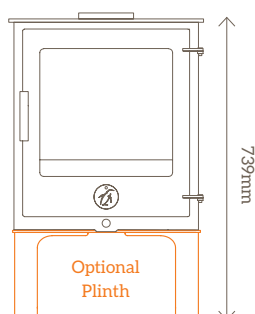
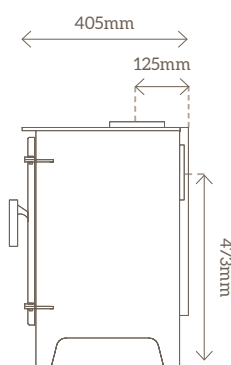
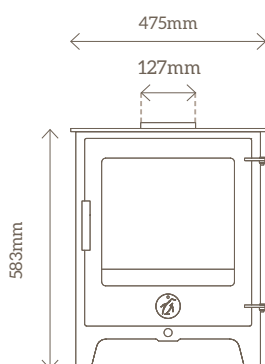
The Tech Details

Nominal Output	4.8kW	
Efficiency	76.9%	
Particulates @ 13% O2	27mg/m ³	
Stock Cube	Width 475mm Depth 405mm Height 583mm	
SC Convector	Width 555mm Depth 405mm Height 583mm	
Fuel	Wood Only	
Approved For Use In Smoke Control Zones	Yes	
Optional Direct Air Kit Available	Yes	
Colours Available	Yes	
Max Log Length x average diameter	300mm x 100mm	
Flue Collar Diameter	127mm	
Flue Size Required	Min 125mm	
Top Exit	Standard	
Rear Exit	Fit blanking plate to top exit	
**Distance To Combustibles With Insulated Flue Fitted to Stove Top		
Stock Cube	Side 500mm Rear 150mm Above 500mm	
**Distance To Combustibles With Insulated Flue Fitted to Stove Top		
SC Convector	Side 300mm Rear 150mm Above 500mm	
*Distance To Non Combustibles		
Side 100mm	Rear 50mm	Above 150mm
Hearth Type	12mm	
Tested to EN 13240:2001, EN 13240-A2 2004 & BS 3841-2:1994		

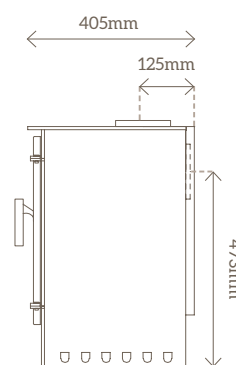
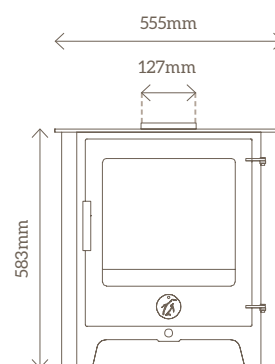
*These are minimum distances, be aware that there are other considerations eg. access for sweeping, height of kettle
+If single walled flue is used then the distance to combustibles at the rear is equal to 3 x flue diameter (document J)



The Plans



The Plans (Convector)





IT'S COOL TO BE SQUARE

The Stock Cube in seal grey

What's More

The Stock Cube is a wood only stove. The wood sits right on the vermiculite bricks on the base of the stove, there is no need for a grate. It has a generous fire box, sized for logs 300mm long and an even more generous piece of glass, offering you a wonderful clear view of the roaring fire. The efficiency is 76.9%. There is convection panel option called the Stock Cube convector" (not pictured).

Penguin Facts

Control Knob

There is only one air control knob. This is both the air boost, when fully extended and finer control when eased inwards. It comes with an air control tool to help you judge the boost control, but can equally just be operated by hand.



The Fubsy

It's raining, it's pouring, the Fubsy is roaring.

This penguin started life as the Stock Cube, it was then developed into a convector model, and an integral plinth was added, so effectively a Stock Cube in extra large. It has all the qualities of the Stock Cube; strong, simple, efficient and clean burning. The Fubsy just gives you more to love...not only wider, but taller.

The Tech Details

Nominal Output	4.8kW	
Efficiency	76.9%	
Particulates @ 13% O2	27mg/m ³	
Width 555mm	Depth 405mm	Height 714mm
Fuel	Wood Only	
Approved For Use In Smoke Control Zones	Yes	
Optional Direct Air Kit Available	Yes	
Colours Available	Yes	
Max Log Length x average diameter	300mm x 100mm	
Flue Collar Diameter	127mm	
Flue Size Required	Min 125mm	
Top Exit	Standard	
Rear Exit	Fit blanking plate to top exit	
*Distance To Combustibles With Insulated Flue Fitted to Stove Top	Side 300mm	Rear 150mm
		Above 500mm
*Distance To Non Combustibles	Side 100mm	Rear 50mm
		Above 150mm
Hearth Type	12mm	
Tested to EN 13240:2001, EN 13240-A2 2004 & BS 3841-2:1994		

*These are minimum distances, be aware that there are other considerations eg. access for sweeping, height of kettle

+If single walled flue is used then the distance to combustibles at the rear is equal to 3 x flue diameter (document J)

UK
CA



What's More

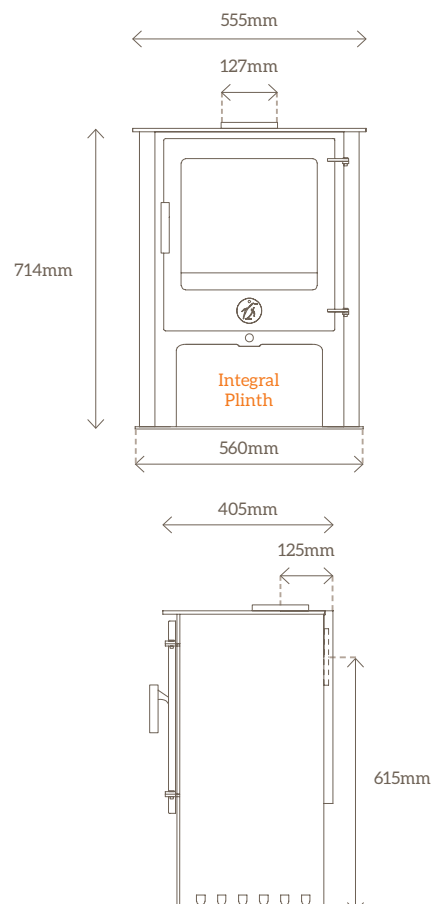
The name Fubsy we couldn't resist, it comes from an old English word meaning "a short stature with a wide girth", or "short and stout". Who could walk past a Fubsy? It makes you want to dawdle, pause a while, fluff up a cushion, get a book, fill a glass.

Penguin Facts

Convector panels

Although often chosen for the look and large top plate which offers a wider surface for placing a kettle on, the convector panels makes these stoves particularly effective for heating large, well insulated rooms.

The Plans



FEARLESSLY
CLEAR



The Fubsy in seal grey

Call: 01758 721 247

Woody (Cat) wood only

Dim ond Woody (Cat) pren yn unig

Brave, innovative, environmentally aware, a quiet revolutionary.

If you want to burn solely wood, then this version of Woody is the one for you. In addition to all of the Ecodesign features of our multi fuel stoves, this stove uses catalytic converter technology. It is the cleanest, greenest stove that we make. The Woody Eco (Cat) is 83% efficient and has a particulate emission figure that is 75% lower than the figure required by Ecodesign standard, thanks to the catalytic converter technology.

Penguin Facts

The secondary heat retaining glazing with air wash and the landscape window offer a clear, generous view of the fire.

Catalytic Converter

The catalytic converters (Cat) are a honeycomb structure that has a special coating that chemically converts harmful gases and superheats to burn off smoke particles. It can be seen glowing orange when functioning. The usual life expectancy of a cat is 3-5 years, depending on usage. They are placed in a removable cassette for ease of access.



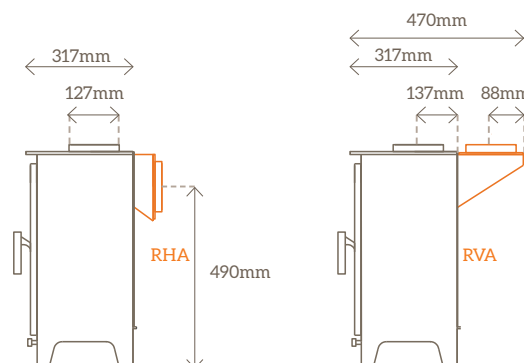
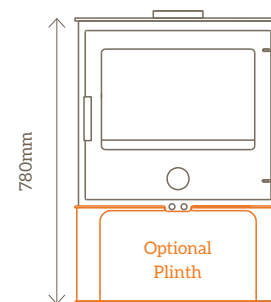
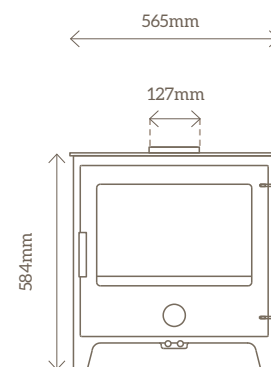
The Tech Details

Nominal Output	5kW			
Efficiency	83.3%			
Particulates @ 13% O2	11mg/m ³			
Width 565mm	Depth 317mm	Height 584mm		
Fuel	Wood Only			
Approved For Use In Smoke Control Zones	Yes			
Optional Direct Air Kit Available	Yes			
Colours Available	Yes			
Max Log Length x average diameter	430mm x 100mm			
Flue Collar Diameter	127mm			
Flue Size Required	Min 125mm			
Top Exit	Standard			
Rear Exit	Rear Horizontal (RHA) / Vertical Adaptor (RVA) Required			
**Distance To Combustibles With Insulated Flue Fitted to Stove	Top 400mm	Side 150mm	Rear 150mm	Above 550mm
*Distance To Non Combustibles	Side 100mm	Rear 50mm	Above 150mm	
Hearth Type No Base Heat Shield / Plinth	Constructional			
Hearth With Base Heat Shield / Plinth	12mm			
Tested to EN13240:2001 & EN13240A2:2004				

*These are minimum distances, be aware that there are other considerations eg. access for sweeping, height of kettle
 +If single walled flue is used then the distance to combustibles at the rear is equal to 3 x flue diameter (document J)

UK
CA

The Plans





AN EVOLUTIONARY REVOLUTIONARY



Woody (cat) in penguin black

Woody (Multi Fuel)

Dim ond Woody (Aml Danwydd)

The slim eco stove with big world views and a captivating dual nature.

If you want to burn both wood and solid fuel, then this multi fuel version of Woody is the one for you. This stove allows you to reduce emissions and breath cleaner air but to have the choice of the fuel that you choose. Like its eco brother it is generously proportioned, yet slim, efficient, clean burning and quietly, modestly, magnificent.

What's More

To achieve lower emissions this penguin uses a combination of three features. Secondary heat retaining glazing is used so that the fire box stays hotter. Re-designed combustion air nozzles diffuse the incoming oxygen, allowing for a more complete combustion. Lastly the flow of air going toward the flue is interrupted, which increases the dwell time in the fire chamber, again contributing to more complete combustion.

Penguin Facts

Woody Eco (Multi Fuel) is 83% efficient on wood and 87% efficient on anthracite, with similar particulate emissions, well within the 2022 Ecodesign requirements.

Like it's eco brother, this stove also has secondary heat retaining glazing, with air wash and a landscape view of the fire.



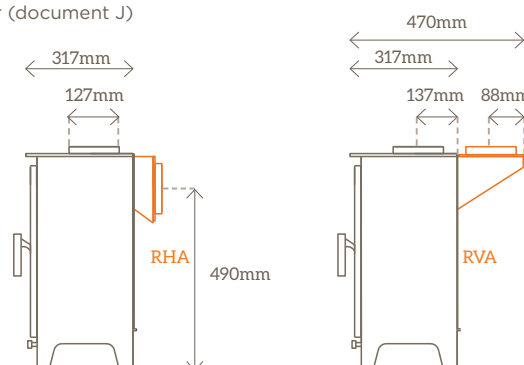
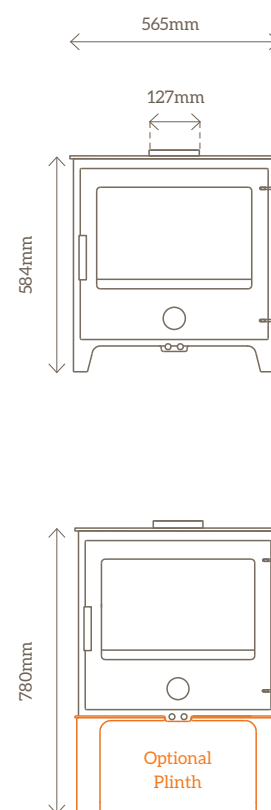
The Tech Details

	W = Wood	SF = Smokeless Fuel
Nominal Output	4.8kW	5kW
Efficiency	82.7%	87.4%
Particulates @ 13% O2	20mg/m ³	16mg/m ³
Width 565mm	Depth 317mm	Height 584mm
Multi-Fuel	Yes	
Approved For Use In Smoke Control Zones	Yes	
Optional Direct Air Kit Available	Yes	
Colours Available	Yes	
Max Log Length x average diameter	430mm x 100mm	
Flue Collar Diameter	127mm	
Flue Size Required	Min 125mm	
Top Exit	Standard	
Rear Exit	Rear Horizontal (RHA) / Vertical Adaptor (RVA) Required	
**Distance To Combustibles With Insulated Flue Fitted to Stove Top	Side 400mm	Rear 150mm Above 550mm
*Distance To Non Combustibles	Side 100mm	Rear 50mm Above 150mm
Hearth Type No Base Heat Shield / Plinth	Constructional	
Hearth With Base Heat Shield / Plinth	12mm	
Tested to EN13240:2001 & EN13240A2:2004		

*These are minimum distances, be aware that there are other considerations eg. access for sweeping, height of kettle
+If single walled flue is used then the distance to combustibles at the rear is equal to 3 x flue diameter (document J)

UK
CA

The Plans





CWTCCH UP WITH A PENGUIN

Woody (multi) in seal grey

Call: 01758 721 247

The Penguin 7 & Penguin 7 Convector

Penguin 7 a Penguin 7 Darfudol

The big boys of the penguin family, cool, classic, contemporary.

This is 7kW of warm, glowing, chilli-hot, heat. The generous clear glass window offers you a huge uninterrupted view of the fire and it has the added benefit of taking large logs. Sleek in penguin black, delicious in charred red, sublime in seal grey.

The Tech Details

Nominal Output	7.1kW
Efficiency	75.8%
Particulates @ 13% O ₂	25mg/m ³
Penguin 7	Width 575mm Depth 405mm Height 583mm
P7 Convector	Width 649mm Depth 405mm Height 583mm
Fuel	Wood Only
Approved For Use In Smoke Control Zones	Yes
Optional Direct Air Kit Available	Yes
Colours Available	Yes
Max Log Length x average diameter	450mm x 100mm
Flue Collar Diameter	127mm
Flue Size Required	Min 125mm

Top Exit	Standard
Rear Exit	Fit blanking plate to top exit
**Distance To Combustibles With Insulated Flue Fitted to Stove Top Penguin 7	Side 400mm Rear 100mm Above 550mm
**Distance To Combustibles With Insulated Flue Fitted to Stove Top P7 Convector	Side 300mm Rear 100mm Above 550mm
*Distance To Non Combustibles	Side 100mm Rear 50mm Above 150mm
Hearth Type	12mm
Tested to	EN13240:2001 / EN13240-A2 2004 / BS3841-2:1994

*These are minimum distances, be aware that there are other considerations eg. access for sweeping, height of kettle



+If single walled flue is used then the distance to combustibles at the rear is equal to 3 x flue diameter (document J)



The Penguin 7 on a plinth in seal grey

What's More

The Penguin 7 and Penguin 7 Convector stoves have a 7 kW output. It offers a wonderful clear view of the fire and high efficiencies. Like all of our stoves the Penguin 7 and Penguin 7 Convector are very controllable. Convector stoves draw cooler air from the bottom of the panel, which rise as they heat up and exit out of the top of the panel, creating a continuous heat cycle.

Penguin Facts

Air controls

The Penguin 7 series, like the 78 series and the Stock Cube series only has one air control knob. This is both the air boost when fully extended and finer control when eased inwards. It comes with an air control tool to help you judge the boost control but can equally be operated by hand.

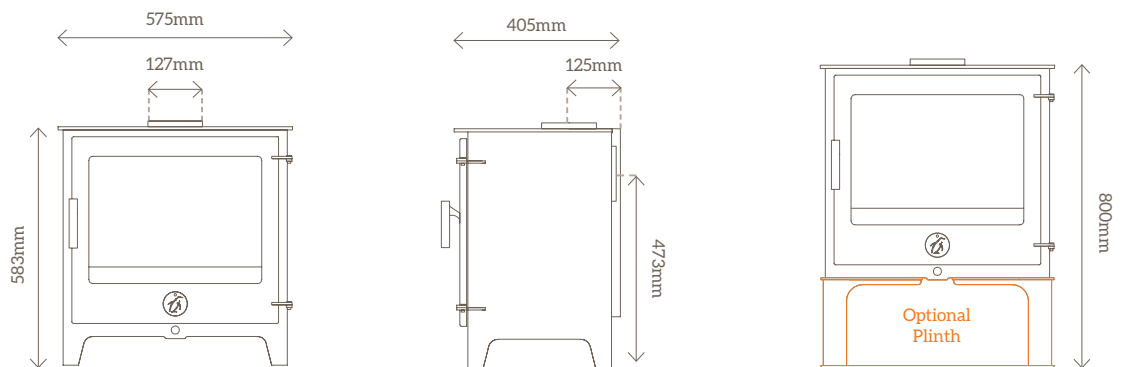


The Penguin 7 on a plinth in seal grey

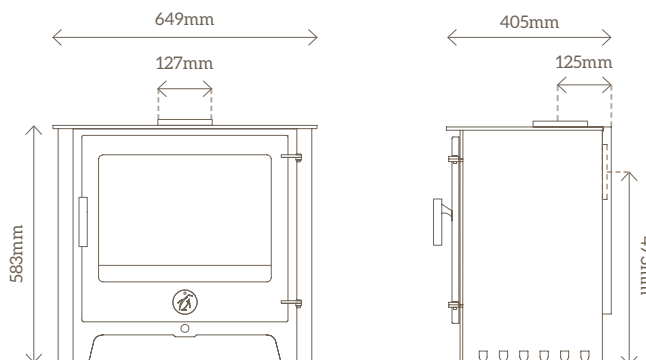


AWESOMELY SIMPLE,
SIMPLY AWESOME.

The Plans



The Plans (Convector)



Call: 01758 721 247

Penguin Idris

Penguin Idris

7kW of fiery loveliness.

We have a new guilty pleasure, the Penguin Idris. The Welsh origin of this name, is fiery and passionate, just like this penguin. The Penguin Idris gives out 7kW of chilli hot heat, like the Penguin 7 but with more to love; extra width with the side convector panels and extra height to balance it up and store your logs underneath...just that bit bigger and that bit hotter.

What's More

This stove is one of our convector stoves. Although often chosen for the appearance and large top plate, which offers a wider surface for placing a kettle on, the convector panels cause heat to move in a different way, making these stove particularly effective for heating large, well insulated rooms.

Penguin Facts

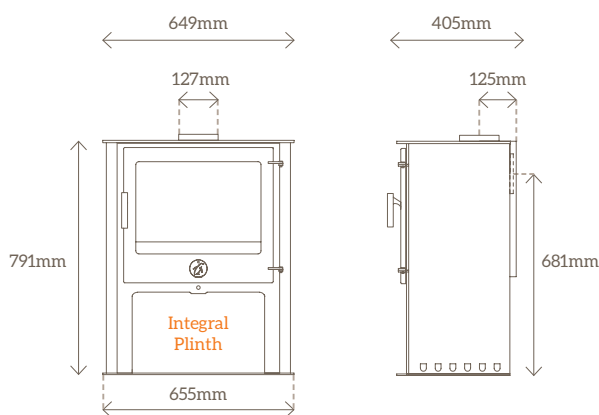
The Penguin Idris has a 7kW output with a large glass window. It uses the updated Chilli Penguin clean burn and air wash system, giving a lovely clear view of the fire. This is a wood only stove. Like all our domestic stoves the Penguin Idris is very controllable.

The Tech Details

Nominal Output	7.1kW	
Efficiency	75.8%	
Particulates @ 13% O ₂	25mg/m ³	
Width 649mm	Depth 405mm	Height 791mm
Fuel	Wood Only	
Approved For Use In Smoke Control Zones	Yes	
Optional Direct Air Kit Available	Yes	
Colours Available	Yes	
Max Log Length x average diameter	450mm x 100mm	
Flue Collar Diameter	127mm	
Flue Size Required	Min 125mm	
Top Exit	Standard	
Rear Exit	Fit blanking plate to top exit	
**Distance To Combustibles With Insulated Flue Fitted to Stove Top	Side 300mm	Rear 100mm Above 550mm
*Distance To Non Combustibles	Side 100mm	Rear 50mm Above 150mm
Hearth Type	12mm	
Tested to EN13240:2001 / EN13240-A2 2004 / BS3841-2:1994		

*These are minimum distances, be aware that there are other considerations eg. access for sweeping, height of kettle
 +If single walled flue is used then the distance to combustibles at the rear is equal to 3 x flue diameter (document J)

The Plans





Penguin Idris in seal grey

FIERY
& PASSIONATE

The Seventy Ate “78” & The Seventy Ate “78” Shorty

Pengwin Saith Deg Wyth a Pengwin Saith Deg Wyth Bach

Big boy, Big oven, Big love. This penguin is the love child of the Penguin 7 and the Hungry Penguin.

What doesn't it have? It gives you heat, it gives you food, it gives you hot drinks, it has somewhere to store your logs and it's got a glorious big window to watch your fire burning. When the world disappoints you, it will be waiting for you at home. This penguin will work for it's living: it can multi task, it's strong, it's hot, it's got muscle and it cooks. If you love this penguin it will love you back.

The Tech Details

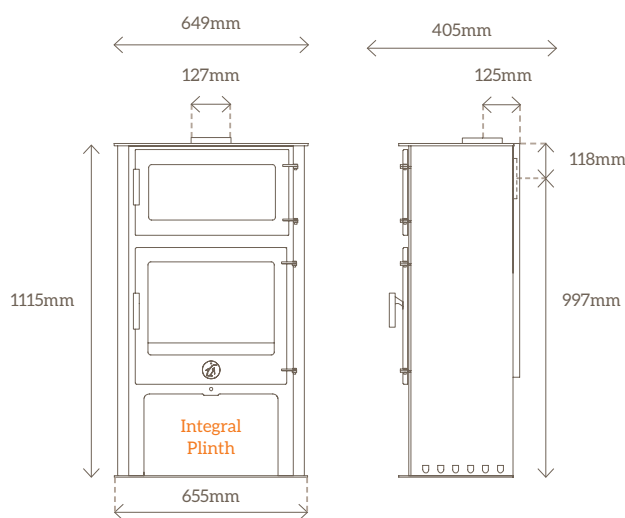
Nominal Output	7.2kW		
Efficiency	75.4%		
Particulates @ 13% O ₂	40mg/m ³		
78	Width 649mm	Depth 405mm	Height 1115mm
78 Shorty	Width 649mm	Depth 405mm	Height 906mm
**Internal Oven Dimension (Excluding Shelves)			
	Width 440mm	Depth 215mm	Height 200mm
Fuel	Wood Only		
Approved For Use In Smoke Control Zones	Yes		
Optional Direct Air Kit Available	Yes		
Colours Available	Yes		
Max Log Length x average diameter	450mm x 100mm		
Flue Collar Diameter	127mm		
Flue Size Required	Min 125mm		
Top Exit	Standard		
Rear Exit	Fit blanking plate to top exit		
**Distance To Combustibles With Insulated Flue Fitted to Stove Top			
Side 300mm	Rear 300mm	Above 550mm	
*Distance To Non Combustibles			
Side 100mm	Rear 50mm	Above 150mm	
Hearth Type	12mm		
Tested to EN13240:2001 / EN13240-A2 2004 / BS3841-2:1994			

*These are minimum distances, be aware that there are other considerations eg. access for sweeping, height of kettle

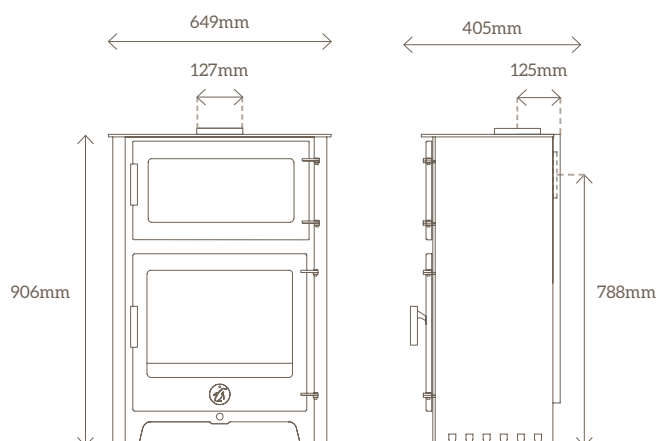
+If single walled flue is used then the distance to combustibles at the rear is equal to 3 x flue diameter (document J)

**Shelf supports inside oven, protrude 20mm on both sides, plus 50mm slope at rear of oven

The Plans



The Plans (Seventy Ate “78” Shorty)



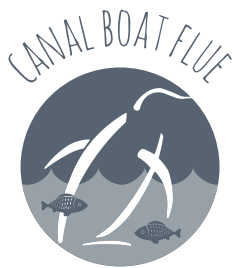
The Seventy Ate "78" in seal grey



BIG LOVE.



Penguin Products



For more products
ask your stockist or
see our website.

www.chillipenguin.co.uk



Your FAQs

BEWARE of new friends post penguin (pp)
they may well be visiting the penguin, not you...
we're just saying...think about it.

What size stove will my room need?

The basic sum is height x width x depth (in metres) of room divided by 14 = kW output requirements. This is a guideline only, assuming an average room, achieving an inside temp of 20°C when 0°C outside.

What is air wash?

It is the system where preheated air is channelled towards the back of the glass, creating a cushion of air, preventing the glass from blackening. The controls must be correctly used and only the right fuels burnt to achieve the full effect. All Chilli Penguin Stoves have a very effective air wash system.

What is clean burn?

Additional air is introduced into the firebox above the fuel in order to burn volatile gases. These gases would otherwise be released into the atmosphere where they are harmful, effectively you are burning more 'cleanly'. The additional benefit is that it burns more efficiently, using less fuel to produce more heat. All our domestic stoves utilise clean burn technology offering a very effective clean burn system and very high efficiencies.

What fuel can I burn in a multi fuel stove?

Either seasoned/ kiln dried wood or smokeless fuels recommended for closed appliances.

DO NOT USE HOUSE COAL.

What is seasoned wood?

Wood with a moisture content of less than 20%, usually wood that has been felled, split and stored for at least one year. Typically about 60% of the weight of freshly cut wood is water. A 1kg log of fresh wood will contain about a tea mug's worth of water. Not only will damp wood not burn well it will tar up your stove and chimney. (www.soliftec.com)

How can I ensure my stove is safely installed?

In order to certify your stove installation you will either need a HETAS qualified fitter or have your installation inspected by your local building control dept. Always fit smoke and CO detectors. This is now a legal requirement. (www.hetas.co.uk) The rules in Scotland and Northern Ireland are slightly different, but installations should comply with hetas guidelines and our installation instructions.

How do I know my stove is safe?

Our stoves are tested to the EN13240:2001, EN13240-A2 2004 & BS3841-2:1994. All of our range are DEFRA tested so they can be burned in smoke control zones (www.uksmokecontrolareas.co.uk)

Which size flue will I need?

The flue collar on all models (except the Chilli Billie) is 127mm. The flue size required is 150mm unless using a Smoke Control Kit.

How do I keep my glass clean?

- Use the air controls effectively
- Use the correct dry fuel
- Follow glass cleaning advice

Which colours are chilli penguin stoves available in?

All the stove models are painted with a high temperature stove paint. This can be cleaned with a soft brush and touched up if necessary. Colours available in the options below.

Actual colours may vary due to print process, please take this as an indication only.



Charred Red



Evergreen



Polar Bear Belly



Storm Blue



Seal Grey



Penguin Black

Chilli Penguin Stoves 7 Year Warranty [Register Online](#)

This extended warranty is offered if stoves are purchased through your local approved Chilli Penguin stockist and registered online. The bodies, doors, grates and stainless steel handles of all our stoves with the exception of the Chilli Billie are guaranteed for 7 years. The stoves must have been installed and maintained as laid out in the instruction manual. In addition they must be certified by either a HETAS* installer or your local building control dept.

Catalytic converters carry a 3 year guarantee.

For full details see instruction manual and online *With the exception of Scotland and Northern Ireland



The Chilli Billie 5 Year Warranty [Register Online](#)

This extended warranty is offered if your Chilli Billie is purchased through your local approved Chilli Penguin stockist and registered online. The bodies and doors of The Chilli Billie are guaranteed for 5 years. The stoves must have been installed and maintained as laid out in the instruction manual. In addition they must be certified by either a HETAS* installer or your local building control dept.

For full details see instruction manual and online *With the exception of Scotland and Northern Ireland





ENGINEERING
ON FIRE

CHILLI PENGUIN STOVES

The Fat Penguin (Tall Order) in charred red



I have loved being in your home. Can you return me to the stove shop when you have finished with me... I have more love to give X

REDUCE | REUSE | RECYCLE

 Sales and Technical Support
Call: 01758 721 247

 stoves@chillipenguin.co.uk

 Local Stockists
www.chillipenguin/contact

 Chilli Penguin Workshop
11 Glan y Don Industrial Estate | Pwllheli | Gwynedd LL53 5YT.

Follow Us:     

www.chillipenguin.co.uk

Location, Photography & Design:
www.lovelavenderhouse.co.uk
www.hide.wales
www.bbphoto.net
www.euronjonesphotography.com
www.shutterstock.com
www.martdesign.net



PRINTED VERSION USES
FSC PAPER AND VEGETABLE INK