



 **BELTANE**
STOVES



BELTANE STOVES

Quality with affordability is key – that's where Beltane Stoves come in.

As a Somerset based family business passionate about stoves, we know how important deciding on the right one for you is. We are justifiably proud of our Beltane Range.

We want our customers to benefit from the same things we experience and which only great quality stoves can bring – cosiness, warmth, a great fire view and a burn that lasts.

Manufactured with classic lines & solid construction using materials more often found in higher priced stoves, the Beltane Range is a great all round choice.

Since their introduction, they have proven exceptionally popular, had consistently good customer ratings and shown the sort of excellent durability we would expect.

Beltane Stoves offer a great way to add a stove to your home, which as a room feature in its own right, can be enjoyed and admired year round.

Have a look at our range and see what's right for you.

STYLE

The aim is simple, classic and solid - with tough 5mm steel construction, that's what the Beltane Range delivers.

It means our stoves look great in any environment but do especially well in the modern home or anywhere, where elegance and simplicity is the aim.

MULTI-FUEL VERSATILITY

Beltane Stoves incorporate modern combustion technology, meaning stoves are easy to light and fully adjust to allow you to have your fire just the way you want it.

A woodburning and multifuel stove brings a satisfying warmth to your home.

All stoves are designed for both wood and smokeless fuels depending on what you prefer. The versatility means you can even mix fuels if that's what you want.

BUILD QUALITY & DESIGN

Beltane Stoves have design features more often found in more expensive ranges.

Every stove is manufactured from painted 5mm steel with silvered handles to add a splash of contrast. All grates are durable cast iron.

Every stove is vermiculite lined for efficiency and effectiveness. Vermiculite consistently outperforms other less expensive materials and remains the main material of choice in quality stoves.

Each stove is fitted with an effective 'air wash system' reducing deposits on the ceramic glass. That means less cleaning and more enjoyment.

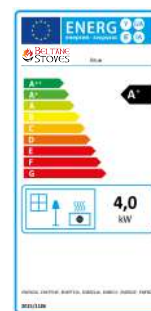
Additionally; Beltane Stoves' large glass gives an impressive fire view creating a cosy ambiance that all can enjoy.

ENVIRONMENTALLY SOUND

Now more than ever we all want to do our bit to protect the environment.

'Ecodesign Ready' is the European-wide programme to lower emissions in woodburning and multifuel stoves, due in 2022.

Beltane Stoves already meet this demanding standard, so you can be comfortable that your new stove is one of the cleanest burning available.



ICONOGRAPHY



Nominal Output

The nominal heat output of the stove in kW.



Output Range

The heat output range that the stove can produce.



Fuel Type

This denotes which fuels the stove is designed and tested to burn.



Airwash System

This Model is fitted with an airwash system for cleaner glass.



Floor Plate

This stove is suitable to be installed on a 12mm glass floor plate



Cast Iron Grate

This stove features a heavy duty cast iron grate



Steel Body Construction

Model is manufactured from steel and fully welded.



Log Size

Beltane Stoves are designed for common length logs.



Eco Design

Ecodesign Ready stores are designed to reduce PM emissions.



Defra Approved Appliance

These stoves are suitable for burning wood and smokeless fuels in smoke control areas

BELTANE BRUE

NEW FOR 2020

The Brue now comes with a new door design and larger glass giving it a better fire view than most in its class. It is the most compact in the Beltane Range making it especially ideal for modern room sizes.

Nothing differs on quality though – the Brue meets the excellent standards of others in the range as well as sharing their classic, solid looks. It's also now available as a logstore model.

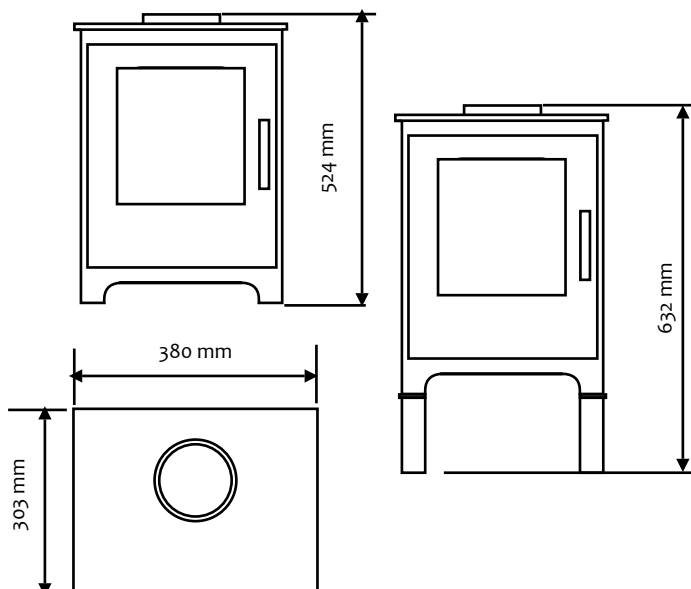


BELTANE BRUE LOGSTORE

 CAST IRON GRATE	 25CM LOG LENGTH	 AIRWASH SYSTEM	 SMOKE EXEMPT	4.0 kW OUTPUT
 5MM STEEL BODY	SUITABLE FOR 12MM FLOOR PLATE	MF MULTIFUEL	 BELTANE STOVES eco design ready	3-5 kW RANGE

Key Features:

- Great for smaller spaces
- Easy to use air controls
- Output Range from 3 - 5 kW
- Optional Logstore
- Vermiculite lined
- Cast iron grate
- British Design
- Suitable for 12mm glass floor plate
- A+ Energy Rated
- Defra Approved
- Ecodesign Ready







BELTANE CHEW

NEW FOR 2020

The Chew packs a bigger punch than the Brue with larger dimensions, higher output and the ability to burn logs up to 35cm. Bigger glass delivers an even better fire view.

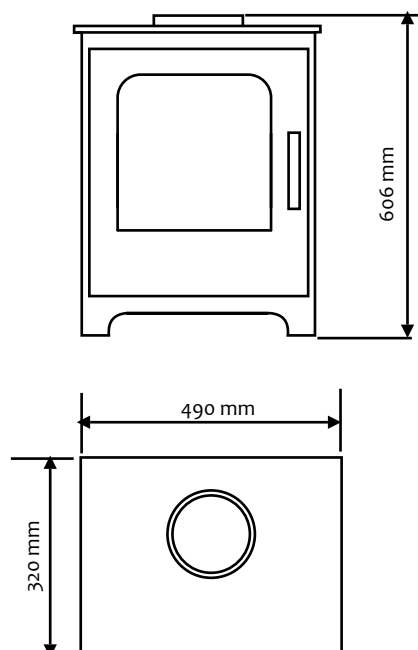
As a 'classic' stove it can still be fitted onto 12mm glass plate free standing or set into a squared out existing fire space. Either way its good looks won't disappoint.



Key Features:

- Ideal for bigger spaces
- Easy to use air controls
- Output Range from 4 - 6 kW
- Vermiculite lined
- Cast iron grate
- British Design
- Suitable for 12mm glass floor plate
- A+ Energy Rated
- Defra Approved
- Ecodesign Ready

CAST IRON GRATE	35CM LOG LENGTH	AIRWASH SYSTEM	SMOKE EXEMPT	4.6 kW OUTPUT
5MM STEEL BODY	SUITABLE FOR 12MM FLOOR PLATE	MF MULTIFUEL	BELTANE STOVES eco design ready	4-7 kW RANGE





BELTANE HOLFORD

For those with an existing 16 inch fireplace the Holford provides a beautiful, contemporary addition to a room all year round.

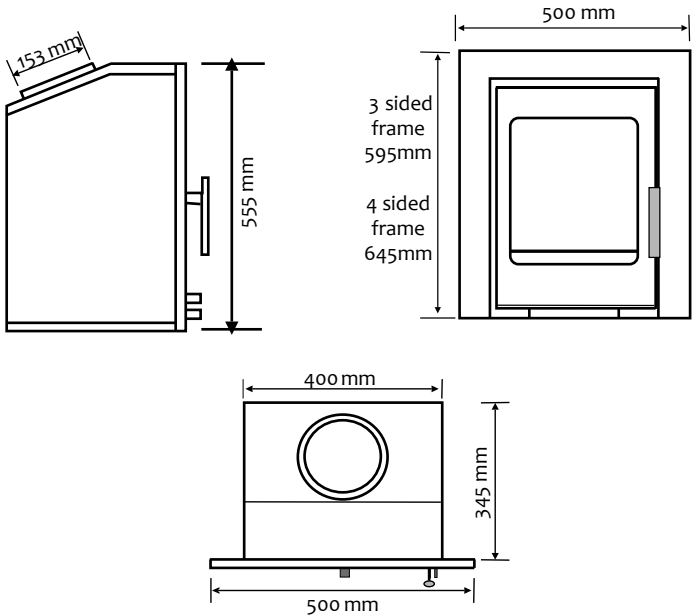
The Holfords 'portrait' design can be set back snugly to sit flush with the wall and is available with either a three or four sided frame, meaning it can sit on the level of the hearth or raised to give an even more modern look.



Key Features:

- Portrait Inset Stove
- Easy to use air controls
- Output Range from 4 - 7 kW
- Vermiculite lined
- Cast iron grate
- Suitable for 12mm glass floor plate
- A+ Energy Rated
- Defra Approved

CAST IRON GRATE	25CM LOG LENGTH	AIRWASH SYSTEM	SMOKE EXEMPT	5 kW OUTPUT
3MM STEEL BODY	SUITABLE FOR 12MM FLOOR PLATE	MF MULTIFUEL	4-7 kW RANGE	





BELTANE HOLFORD

LANDSCAPE NEW FOR 2020

The new Holford Landscape offers a fantastic wide screen view of your fire. Its sleek simple lines combine to give an elegant feel especially when integrated into existing fireplace surrounds.

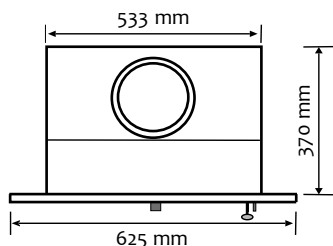
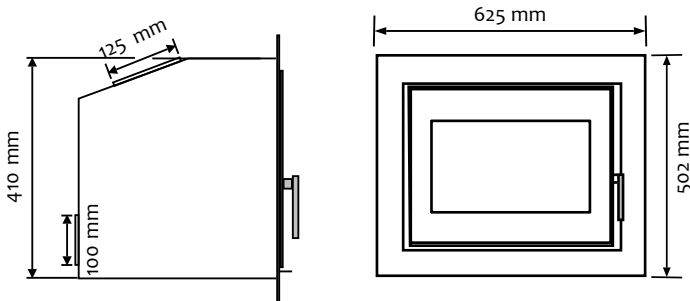
Available with a four sided frame, this excellent stove is versatile to help create different looks depending on the ambiance you want to create, whether fitting within a fireplace or into an existing chimneybreast.



 CAST IRON GRATE	 35CM LOG LENGTH	 AIRWASH SYSTEM	 SMOKE EXEMPT	 5 kW OUTPUT
 3MM STEEL BODY	 SUITABLE FOR 12MM FLOOR PLATE	 WOOD	 BELTANE STOVES eco design ready	 4-7 kW RANGE

Key Features:

- Landscape Inset Stove
- Easy to use air controls
- Output Range from 4 - 7 kW
- Vermiculite lined
- Cast iron grate
- Suitable for 12mm glass floor plate
- A+ Energy Rated
- Defra Approved
- Ecodesign Ready
- Closed Combustion 100mm ø





SPECIFICATIONS

BELTANE BRUE

Dimensions (Standard) H x W x D (Logstore)	524mm x 380mm x 303mm 632mm x 380mm x 303mm
Nominal Output	W & C 4kW
Efficiency	W 81.4% C 80.9%
CO @ 13% O ₂	W 0.06 C 0.05
Particulates mg/mo ₃ @13%	W 25 C 14
Outlet	125mm
Distance to Combustibles	Rear: 200 Sides: 600
Distance to centre of top flue outlet	135mm
Height to centre of rear outlet	400mm (Standard) 508mm (Logstore)
Weight	60kg

BELTANE CHEW

Dimensions H x W x D	606mm x 490mm x 320mm
Nominal Output	W & C 4.6kW
Efficiency	W 80% C 83.1%
CO @ 13% O ₂	W 0.05 C 0.08
Particulates mg/mo ₃ @13%	W 36 C 11
Outlet	125mm
Distance to Combustibles	Rear: 150 Sides: 500
Distance to centre of top flue outlet	130mm
Height to centre of rear outlet	520mm
Weight	70kg

BELTANE HOLFORD

Dimensions H x W x D	525mm x 380mm x 280mm
Building in Dimensions	680mm x 547mm x 335mm
Inset Box Dimensions	590mm x 430mm x 345mm
Nominal Output	W & C 5kW
Efficiency	W 80.4% C 78.0%
CO @ 13% O ₂	W 0.10 C 0.01
Particulates mg/mo ₃ @13%	N/A
Outlet	150mm
Distance to Combustibles	Above: 500 Sides: 350
Frame Dimensions	3 Sided: 595mm x 500mm 4 Sided: 645mm x 500mm
Weight	65.5kg

BELTANE HOLFORD LANDSCAPE

Dimensions H x W x D	502mm x 625mm x 410mm
Building in Dimensions	420mm x 545mm x 380mm
Inset Box Dimensions	410mm x 533mm x 370mm
Nominal Output	W 4.8kW
Efficiency	W 81.2%
CO @ 13% O ₂	W 0.11
Particulates mg/mo ₃ @13%	W 17
Outlet	125mm
Distance to Combustibles	Above: 800 Sides: 200
Frame Dimensions	4 Sided: 502mm x 625mm
Weight	90kg

Guaranteed performance

Of course you can buy with confidence. Beltane Stoves are covered by a 2-year guarantee against manufacturing defects.

This covers the main body of the stove but you can be comforted to know that we carry a range of spares in case of accidental damage to replaceable parts like glass, firebricks and seals.

You can look forward to enjoying your Beltane Stove for many years to come.

(N.B Beltane Stoves have a policy of continuous improvement and reserves the right to change specification without prior notice).

Beltane Stoves
Unit H1
Mendip Industrial Estate
Rooksbridge
BS26 2UG

01934 750500
info@eurostove.co.uk
www.eurostove.co.uk



Beltane Stoves are part of the Eurostove group of companies, a UK leader in stove design and supply

Version 4 September 2020

